

Heated chip storer

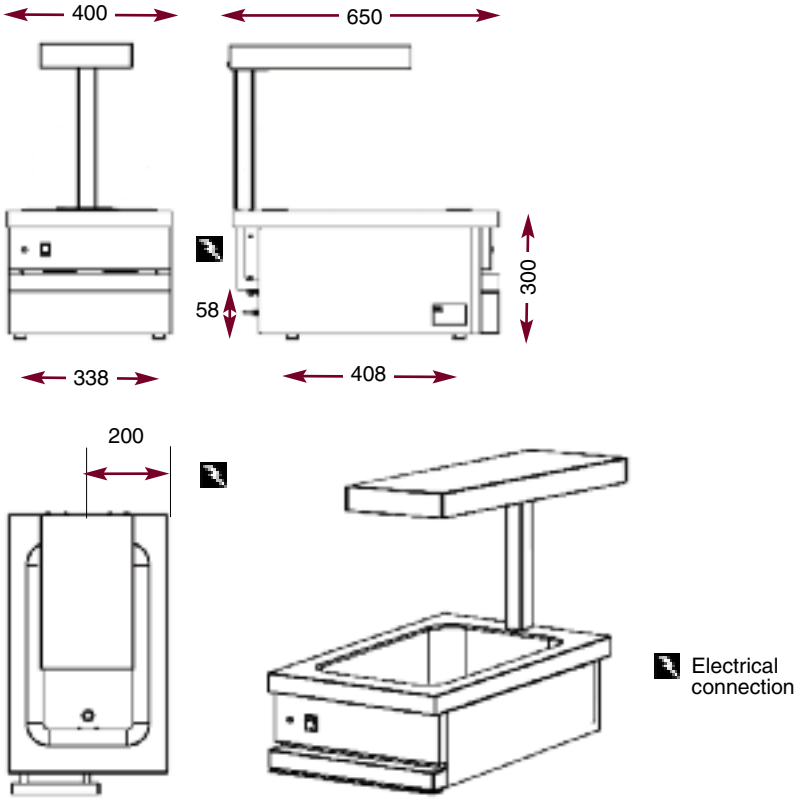


CME 410 RF. Heated chip storer.



- Heated by 1 kW infrared lamp.
- Supplied without shelves.
- Open bay.
- Drain valve.
- Electric supply: 230 V single phase.

CSE 410 RF L 400 - P 650 - H 300



The Chef's Choice.